



# ***Reverse Osmosis*** **DRINKING WATER SYSTEM**

## **MANUAL**

### **INSTALLATION & MAINTENANCE**

#### **MODEL: KYL-K30**



**Water  
Quality**  
ASSOCIATION



# Under the Sink Series - RO Water Purifier

## Table of Contents

### Use Part

Part Name of Water Purifier.....	1
Product Features.....	2
Product Functions.....	2
Precautions.....	2
Product Model and Major Parameters.....	3
Flowchart of Water Generation & Electric Principle Diagram.....	4
Electric principle.....	4
Maintenance.....	4
Accessories Carton.....	6
Warranty.....	6
Note.....	7
Warning.....	7
Installation.....	7
Installation Precautions.....	7
Requirements for installer.....	7

### Installation Part (for installers only)

Installation Method of Overall Machine.....	8
Gooseneck Faucet Installation.....	8
Installation of Feed Tee-piece and Ball Valve.....	9
Filter Installation.....	9
Installation of Connecting Pipes.....	10
Debugging, Inspection and Pilot Running.....	11

<b>Maintenance Card.....</b>	<b>2</b>
------------------------------	----------

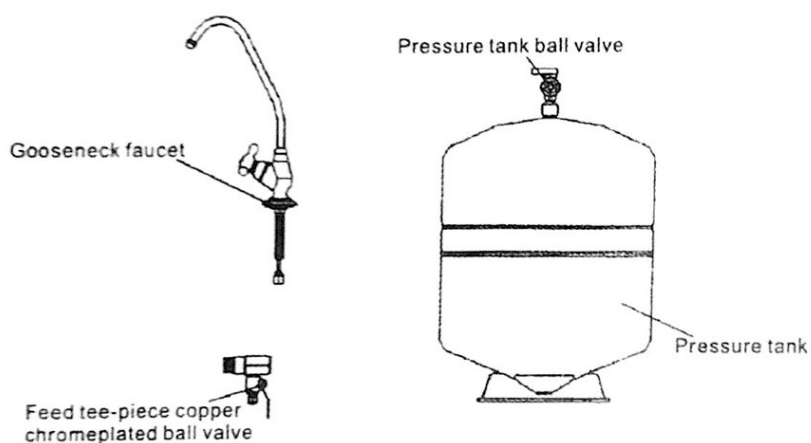
<b>Repairing Records Sheet.....</b>	<b>2</b>
-------------------------------------	----------

## Dear user:

- Thank you for buying this reverse osmosis (RO) water purifier,
- Before using this product, please first read "Precautions" on page 2 to avoid damage to the water purifier or other accidents due to improper operation
- "Installation Part" in this User's Manual is for use by installers only.
- For any doubt, please contact the local dealer
- **This is standard 50G RO water purifier's instruction manual. The special amendment will be accordance with customized requests; we don't list these special requests in this manual instruction.**

## Part Name of Water Purifier

(The illustration below is based on Standard 5-stage specifications with normal bracket)



## Product Features

1. Adopting the reverse osmosis (RO) membrane and generating water by the international advanced reverse osmosis technology. Five-stage filtration, eliminating sand suspension, colloid, organic substances, heavy metals, soluble solids, bacteria, virus and other harmful substances, only reserving water molecules and soluble oxygen.
2. Adopting mute booster pump which has long lifespan and reliable quality.
3. Replaceable pre-treatment filters, ensuring effective pre-treatment, convenient replacement, competitive price of filter replacement low operating cost of water generation.
4. Reverse osmosis system has the function of automatic flushing. It can flush the RO membrane at the time of start-up and re-start, effectively prolonging the service life of RO membrane.
5. Automatic control of water generation (stop automatically in case of full water in pressure tank, flush the RO membrane automatically for protection).

## Product Functions

For civil tap water (GB 5749), conduct coarse filtration with PP cotton filter. granular active carbon filter to absorb unusual colors and odors. and absorb residual chlorine with block active carbon filter to generate filtered water. The filtered water is subject to a reverse osmosis membrane for filtration to form drinking water which is in compliance with the requirements in the Sanitary Standard for Hygienic Safety and Function Evaluation on Treatment Devices of drinking Water-Reverse Osmosis Treatment Devices (2001).

## Precautions

Please read the Use Part in the User's Manual carefully before using this product. Carry out the operation in strict accordance with the methods specified in the manual to avoid damage to this unit or injury to health and property of you and others.

1. Never place the water purifier in a direct sunshine.
2. Move the machine carefully and lightly.
3. The water purifier shall operate at a temperature of 5-40°C, and must not filter hot water otherwise this may cause damage; in winter, pay attention to heat preservation and protect against freeze.

4. By using a cloth dipped in water, clean the Water purifier with soft detergent rather than strong volatile solvent such as gasoline.
5. In case of failure, disconnect the water source promptly, and inform the local service agency immediately to eliminate the failure.
6. In case of long-term no use, pull out the power plug, close the feed ball valve and cut off the water source.
7. In the cases where the water purifier is used for the first time or reused after long time idle, drain out the first two tanks of water through the gooseneck tap after the tank is full, and then use the machine.
8. Do not use a power supply that does not match the rated voltage.
9. There is an air tap on the pressure tank. Do not discharge air from it.

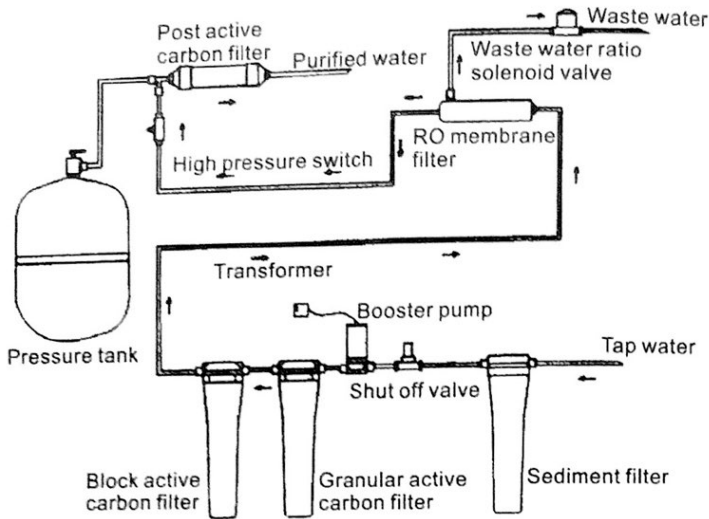
### Product Model and Major Parameters

Model	R7ST-75R
Rated frequency	50Hz
Rated voltage	100V-220V
Rated power	26W

Rated flow of purified water	$\geq 2000L$
Stage1	10" PP cotton filter
Stage2	10" Granular active carbon filter
Stage3	10" Block active carbon filter
Stage4	RO membrane filter
Stage5	10" Post active carbon filter
Applicable water pressure	0.1-0.4 MPa (about 1~4 kgs)
Ambient temperature	5-40°C
Applicable water	Tap water
Packing dimensions (L x W x H)	
Net weight	
Gross weight	

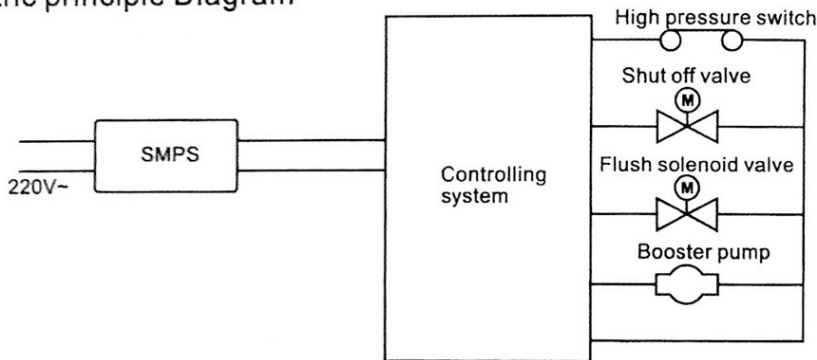
# Flowchart of Water Generation & Electric Principle Diagram

## Water Generation flow



## Electric principle

### Electric principle Diagram



## Maintenance

1. Replace the filter regularly to maintain pure and clean water

Item Name	Recommended replacement cycle (month)
10" PP cotton filter	3~6 months
10" Granular active carbon filter	6~12 months
10" Block active carbon filter	6~12 months
RO membrane filter	18~24 months
10" Post active carbon filter	6~12 months

The data above are for references only. The specific cycle for replacement of filters varies with local water quality and water amount consumed. For any doubt or normal replacement of filters, please contact the local dealer.

## 2. Troubleshooting

In case of the following circumstances, the user shall carry out inspection according to the requirements below. If unresolved, please contact the local dealer or local service agency and inform product models and failure details.

<b>Failure</b>	<b>Cause</b>	<b>Solution</b>
Machine fails to run	Feed ball valve closed	Open the feed ball valve
	Power supply not put through	Switch on power supply
	Booster pump not running	Contact the local service agency
	Power cut	Wait for the power resumed
Noise occurring in operation	Booster failing or fastening screws loosening	Contact the local service agency
	Insufficient water in booster	Increase the original water pressure
Too much drop in amount of water generated or no water out	RO membrane jammed	Change replacement or contact local service agency
	Filter not replaced in time, beyond the use time	
NO water out from gooseneck faucet	Post active carbon filter jammed	Change replacement or contact local service agency
	Pre-treatment filters jammed	
	RO membrane jammed	
Poor quality water out	Post active carbon filter not replaced in time, beyond the use time	Change replacement or contact local service agency timely
	RO membrane damaged	
	Fine carbon powder contained in water	Wash post active carbon powder away or replace post active carbon filter
Booster not stopping	High-pressure switch damaged	Please contact your local agency
	Waste water ratio solenoid valve damaged	

### 3. RO membrane flush

When the RO membrane filters the water, there are impurities and bacteria kept in the surface of the membrane, and while it accumulated in a certain degree, the water quality becomes poor and the water generation amount drops. The machine has automatic flush process which can prolong the life of RO membrane.

Water purifier 1 set

User's Manual 1 copy

Pressure tank 1 pc (individual packing)

### Accessories Carton

(Gooseneck faucet 1 pc, 1/4 PE tube, RO membrane 1 pc, parts bag 1 bag)

### Warranty

1. There is one year's guarantee with this purifier. However, repeated repair within the warranty period shall necessitate the purchasing voucher. The customer shall bear the costs of normal consumable materials.
2. In the event of any quality issue, please contact the nearest special maintenance department, and never disassemble this machine on your own. Within the warranty period, any failure arising from improper use or unauthorized disassembly by the user shall fall into the scope of free guarantee. However, this company can provide charge maintenance, and is not responsible for any quality problem or accident therefore.
3. The product enjoys one year warranty period, starting from the date of purchase. For quality problems not arising from improper use within the period, this company will provide free maintenance.
4. Product maintenance requires the user to produce the warranty card, product certification and sale invoice.
5. For any one of the following cases, warranty will be invalidated:
  - a. Damaged by improper operation and storage by the consumer,
  - b. Damaged due to disassembly by any person except professional maintenance personnel;
  - c. Without a purchase invoice or the purchase invoice not complying with the product model;
  - d. Damaged by force majeure;
  - e. The warranty period expires,
6. For product maintenance beyond the warranty scope, our company will charge for parts and maintenance. If requiring repair at your door, the user shall pay corresponding extra service.



7. When the pressure of feed water exceeds 0.4MPa, it is recommended to install a relief valve. This company will not be liable for any loss caused by failure to install such a relief valve.

### **Note:**

1. To assure proper operation of the purifier and water quality, please adopt the filters and parts supplied by our company. Our company is not responsible for any purifier failures caused by using consumables (filters and parts) not supplied by our company.
2. Product appearance on the cover of the manual is subject to change without notice. The actual product shall prevail.
3. Because of technical improvement, the water production process flow of the purifier, configuration of the filter material, technical parameters and electric control technology are subject to change without notice.

### **Warning:**

The water purifier must be installed by qualified personnel. The following content is offered for use only by qualified personnel not by users.

### **Installation**

For the purpose of correct installation, please read the Installation Part in the User's Manual first. After mounting the water purifier, the installer shall, according to the User's Manual. Provide the user with methods of correct use and maintenance then ask the user to carefully read and keep it.

### **Installation Precautions**

1. Avoid direct sunshine.
2. The working temperatures are 5-40°C.
3. Hygienic and clean (free of insects and mice).
4. There are no flammable and explosive substances and electric control equipment around.
5. It shall be in a place where no sundries are piled, collision does not take place easily and installation is easy.
6. During installation, the machine's back must rest upon a safe and reliable point to prevent its fall from injuring people.

### **Requirements for installer**

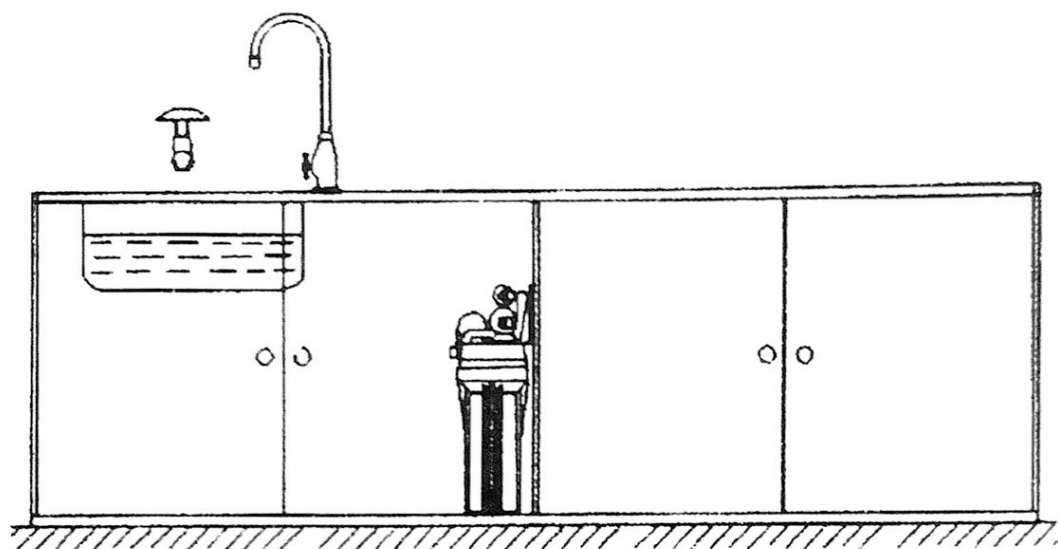
- A person receiving professional training and having some professional knowledge.
- A person designated by this company,
- A person with a relevant certificate.

## Installation Method of Overall Machine

Accessories: see the Packing List in the catalog. If some accessories are not in use, please keep them properly

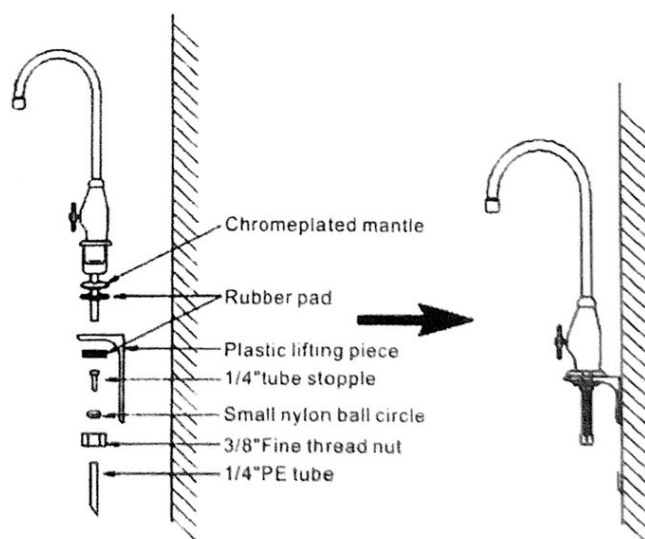
Note: The legends in the Installation Part of the User's Manual are based on the appearance of a water purifier of standard mode! and for reference only in installation. In case of any discrepancy, please be subject to the actual product

Methods of water purifier installation (for reference only; taking kitchen installation for example)



Under the Sink Installation

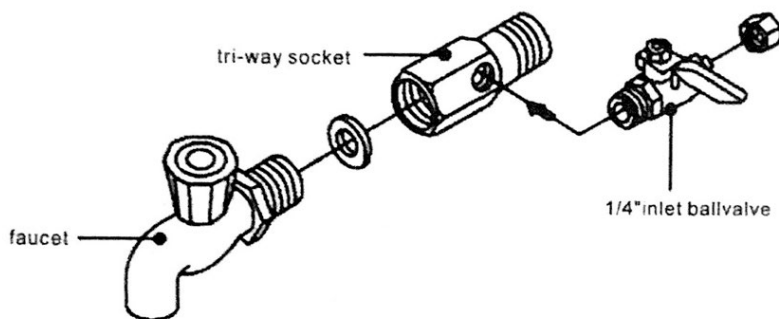
## Gooseneck faucet installation



1. On a vertical surface: Before drilling, set up positioning points at the selected position (recessed marks are based), and by using a bit of  $\Phi 11$ , drill, bore holes at the selected positions. Assemble the gooseneck tap as shown in the right figure
2. On a wall surface: first determine a position to install the gooseneck tap, draw three positioning holes for the plastic lifting pieces, and by using a bit of  $\Phi 6$ , drill, bore holes with a depth of 25mm. Put three expansion colloidal particles in the fixing holes, and by using tapping screws ST4X25mm and three fastening plastic lifting pieces, assemble the gooseneck tap in the order shown in the right figure

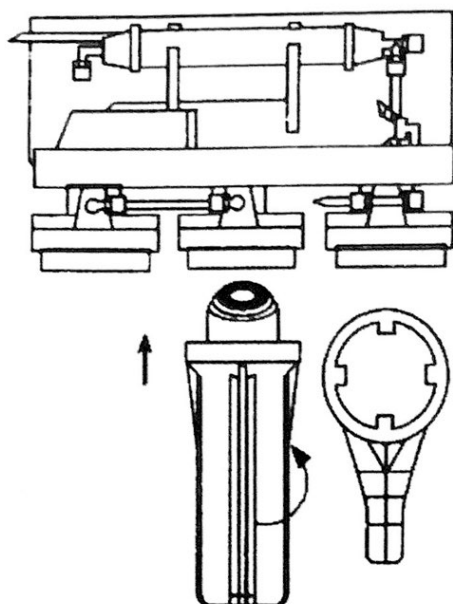
## Installation of the Feed Tee-Piece and Ball Valve.

1. Close the feed water source First wrap some raw material belts around the threads of copper chrome plated ball valve, and then screw the copper chrome plated ball valve into the tee.
2. Wrap some raw material belts around the tee threads, then lock it to the interface of the original tap water pipe, and finally connect the tap to the tee  
(As the below drawing)



## Filter Installation

1. Cut off the water source and power supply
2. Put the wrench on the filter housing and screw it off anticlockwise, then take out the filter and put it into the housing after taking off the seals.
3. Screw on the filter housing clockwise by hand at first, and then screw it tight with the wrench. Pay attention to coating glycerin on the sealing rubber ring and embedding it into the groove to avoid water leakage caused by twisting.
4. When install the RO membrane screw off the lid of the RO membrane housing, coat the glycerin on the rubber O ring of the RO membrane evenly, insert it into the housing and then screw tight the lid.
5. Firstly let in the water, discharge the air and rinse the carbon powder for the three pre-treatment filters, and then put through the RO membrane filter after the water get clean



- Please make sure the bottom of filter fit into the filter holder on the base of the housing properly to insure sealing.
- Please coat glycerin on the sealing rubber ring and put it in the groove, and notice the tightness when screw it on. No water leakage is suitable.
- Please note the end with rubber ring of the Granular active carbon filter should towards the tightness of the housing to avoid influence of filter life caused by position reversal

### **Installation of Connecting Pipes**

Connect the plastic water pipe as shown in the below drawing

## Debugging, Inspection and Pilot Running

1. Washing the front filter and post active carbon filter: upon completion of installation, remove the feed pipe of the RO filter, turn on the galvanized ball valve on the tap pipeline (i.e. turn on the water source), and plug into the power supply. At the moment, the purifier enters the state of filter cleaning, and the powder in the active carbon filter can dissolve in water and flow out to prevent pollution to the RO membrane. After black water is exhausted, turn off the power supply and water source temporarily, and then connect to the removed feed pipe of the RO membrane pipe.
2. Water generation: turn on the ball valve of the pressure tank, and then turn on the water source and power supply. Now the booster starts, and the purifier begins to produce water.
3. Test whether the pipelines are unblocked: during water production, filtered water enters the pressure tank, and the waste water in the RO membrane flows out of the waste water ratio solenoid valve. There are a lot of waste water discharges when the power supply is put through. It begins water generation when the waste water becomes less.
4. To produce purified water, longer time will be needed (about 30 to 60 min) to fill the pressure tank. To ascertain the action quickly, turn off the pressure tank ball valve about 5 minutes after normal water production, the high-pressure switch disconnects the power supply once pressure within the pipeline increases to a specified value, and the booster stops running. Then turn on the gooseneck delivery tap to reduce water pressure, the high pressure switch resets to connect power supply, and the booster can start. After repeated operations, inspect whether the booster can start or stop normally. After confirming all actions are normal, turn on the pressure tank ball valve.
5. Check the joint and pipeline for getting loose or water leakage: during the pilot run, inspect all the parts, components and joints for water leakage. After turning off the water source, re-inspect whether each joint is loose due to shipment to avoid any water leakage due to loose joints when pressure in the pipeline increases.

### Special Hint:

In the cases where the water purifier is installed and used for the first time or reused after long time idle, the first two tanks of water generated shall be drained out through the gooseneck tap (washing the post active carbon in the tank and water supply pipeline system) and only the water in a third tank is drinkable. When the drinking water is fetched initially everyday, drain water of about 500ml (wash away water accumulated in the pipe), and get water for drinking.

After purchasing a water purifier, you should have the machine installed by qualified personnel from the dealer. After installation, unauthorized dismantlement or movement is not allowed.

## MAINTENANCE CARD

User's name		Contacting TEL	
Address			
The place of buying		The time of buying	
Invoice NO.		Date of setup machine	
Item model		The unit of service	
The service TEL		Name of serviceman	
Comments on our product and service. Satisfied <input type="checkbox"/> Common <input type="checkbox"/> Discontented <input type="checkbox"/> User's signature: _____ Day    Month    Year			

## REPAIRING RECORDS SHEET

Date	Malfunction & repairing recording			Service unit	Serviceman	User's signature
	Malfunction description	The name of parts changed	Quantities			